

K-No.: 26621

300mA Differential Current Sensor for 5V Supply Voltage

For the electronic measurement of current:
DC, AC, pulsed ..., with galvanic isolation between the primary and the secondary circuit



Date: 02.02.2022

Customer: Standard type

Customers Part no:

Page 1 of 4

Description

- Closed loop (compensation) Current Sensor with magnetic probe
- Printed circuit board mounting
- Casing and materials UL-listed

Characteristics

- excellent accuracy
- very low offset current
- very low temperature dependency and offset drift
- very low hysteresis of offset current
- short response time
- wide frequency bandwidth
- compact design
- reduced offset ripple

Applications

Mainly used for stationary operation in industrial applications:

- Solar inverter

Electrical data - Ratings

I_{PN}	Primary nominal RMS current	50	A
$I_{\Delta N}$	Differential rated RMS current	0.3	A
V_{OUT}	Output voltage @ $I_{\Delta P}$	$V_{REF} \pm (0.74 * I_{\Delta P} / I_{\Delta N})$	V
$V_{OUT(0)}^1$	Output voltage @ $I_P=0A, \vartheta_A=25^\circ C$	$V_{REF} \pm 0.025$	V
$V_{OUT(Error)}$	in case of error (current sensor) $V_{OUT} < 0.5V$ is set	< 0.5	V
V_{REF}	internal reference voltage	2.5 ± 0.005	V
	external reference voltage range	1.4 ... 3.5	V
$V_{REF(test\ current)}^2$	Reference voltage (external)	0 ... 0.1	V
$V_{OUT(test\ current)}^2$	Output voltage @ $V_{REF} = 0 \dots 0.1V$	$V_{OUT(0)} + 0.25 \pm 0.06$	V
K_N	Transformation ratio	1:1 : 20 : 1000	

¹ with switching on and after "test current" the sensor is degaussed by an internal AC-current for about 110ms. In this time the output is set to $V_{OUT} < 0.5V$.

² If V_{REF} is set external to 0...0.1V an internal test current is generated.

Accuracy – Dynamic performance data

		min.	typ.	max.	Unit
$I_{\Delta P,max}$	Max. measuring range (differential current)	± 0.85			A
X	Accuracy @ $I_{\Delta N}, \vartheta_A = 25^\circ C$			± 1.5	%
ϵ_L	Linearity			± 1	%
$V_O (V_{OUT}-V_{REF})$	Offset voltage @ $I_P = 0A, \vartheta_A = 25^\circ C$			± 25	mV
$\Delta V_O / \Delta T$	Temperature drift of V_{OUT} @ $I_P=0A, \vartheta_A$		0.1		mV/°C
t_r	Response time @ 90% of $I_{\Delta N}$		35		μs
f_{BW}	Frequency bandwidth	DC...8			kHz

General data

ϑ_A	Ambient operation temperature	-40		85	°C
ϑ_S	Ambient storage temperature (acc. to M3101)	-40		85	°C
m	Mass		60		g
V_C	Supply voltage	4.75	5	5.25	V
I_C	Supply current at $I_P = 0A$ and RT		15		mA

¹ S_{clear}	Clearance (component without solder pad)	8.5			mm
¹ S_{creep}	Creepage (component without solder pad)	10.0			mm
¹ U_{sys}	System voltage *determines impulse voltage acc. table 7			600	V_{RMS}
¹ U_{AC}	Working voltage *acc. table 10			1000	V_{RMS}
¹ U_{PD}	Rated discharge voltage *acc. table 24 with $U_{PD}=U_{AC}*\sqrt{2}$			1414	V_{PEAK}

¹Constructed and manufactured and tested in accordance with IEC 61800-5-1:2007 Reinforced Insulation, Pollution degree 2, Overvoltage category III, Insulation material group I

Date	Name	Issue	Amendment
02.02.2022	NSch.	81	Applicable documents changed on sheet 2. The color of the plastic material... added. Minor change

Hrg.: R&D-PD NPI D editor	Bearb.: DJ designer	MC-PM: NSch. check	freig.: SB released
---------------------------	---------------------	--------------------	---------------------

K-No.: 26621

300mA Differential Current Sensor for 5V Supply Voltage

For the electronic measurement of current:
DC, AC, pulsed ..., with galvanic isolation between the primary and the secondary circuit



Date: 02.02.2022

Customer: Standard type

Customers Part no:

Page 2 of 4

Mechanical outline (mm):

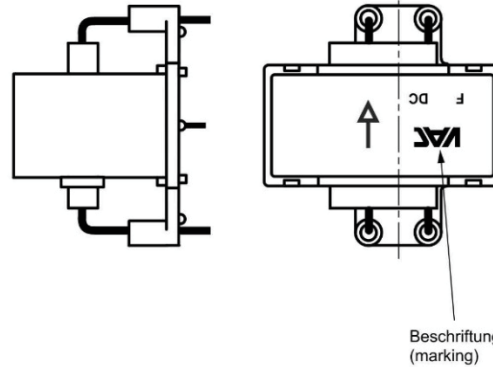
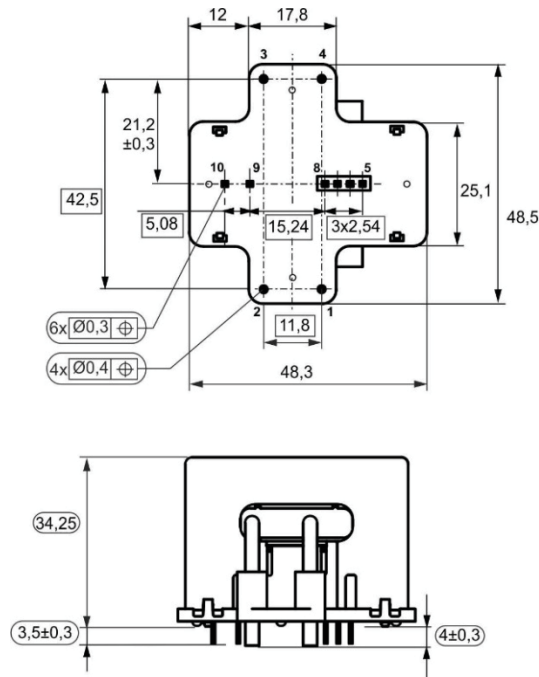
General tolerances DIN ISO 2768-c

Connections:

Pin 5-10: 0.7mm x 0.7mm
Pin 1-4: Ø2.8mm

Marking:

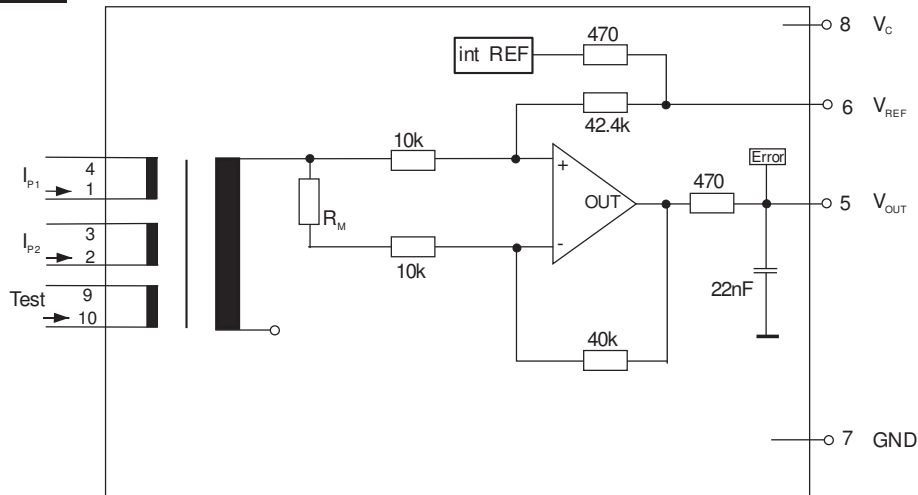
VAC
UL-sign
4646-X921
F DC



□ = Prüfmaß (test dimension)

DC = Date Code
F = Factory

Schematic diagram:



Other instructions

Current direction: A positive output voltage appears at point V_{OUT} , if primary current flows in direction of the arrow.
Temperature of the primary conductor should not exceed **105°C**.
Housing and bobbin material UL-listed: Flammability class 94V-0
Further standards: UL 508, file E317483, category NMTR2 / NMTR8
The color of the plastic material is not specified and the current sensor can be supplied in different colors (e.g. brown, black, white, natural). This has no effect on the specifications or UL approval

Hrg.: R&D-PD NPI D editor

Bearb.: DJ designer

MC-PM: NSch. check

freig.: SB released

K-No.: 26621

300mA Differential Current Sensor for 5V Supply Voltage

For the electronic measurement of current:
DC, AC, pulsed ..., with galvanic isolation between the primary and the secondary circuit



Date: 02.02.2022

Customer: Standard type

Customers Part no:

Page 3 of 4

Electrical data: (investigate by a type checking)		min.	typ.	max.	Unit
$V_{C,max}$	maximum supply voltage (without function)			6	V
I_C	Supply current with primary current	$15mA + I_{\Delta P} \cdot K_N + V_{OUT}/R_L$			mA
$I_{OUT,SC}$	Short circuit output current		± 10		mA
R_S	Secondary coil resistance @ $\theta_A = 85^\circ C$			80	Ω
R_{Test}	Test winding resistance @ $\theta_A = 25^\circ C$		0.9		Ω
$R_{P1,P2}$	Primary wire resistance @ $\theta_A = 25^\circ C$		0.24		m Ω
$R_{i,REF}$	Internal resistance of reference input		470		Ω
$R_{i,OUT}$	Output resistance of V_{OUT}		470		Ω
$\Delta X_\theta/\Delta\theta$	Temperature drift of X @ $\vartheta_A = -40^\circ C \dots 85^\circ C$			400	ppm/K
$\Delta V_{REF}/\Delta\theta$	Temperature drift of V_{REF} @ $\vartheta_A = -40^\circ C \dots 85^\circ C$		5	50	ppm/K
$\Delta V_{O=}$ $\Delta(V_{OUT}-V_{REF})$	Sum of any offset drift including:			32	mV
V_{Ot}	Long term drift of V_O		12		mV
V_{OT}	Temperature drift of V_O @ $\vartheta_A = -40^\circ C \dots 85^\circ C$		10		mV
$\Delta V_O/\Delta V_C$	Supply voltage rejection ratio		10		mV/V
V_{OH}	Hysteresis of V_{OUT} @ $I_P = 0$ (after an overload of $1000 \times I_{\Delta N}$)		75	125	mV
$V_{OH, Demag}$	Hysteresis after Degaussing			25	mV
v_{OSS}	Offsetripple (without external filter)		70		mV
v_{OSS}	Offsetripple (with 20 kHz-Filter, first order)		20		mV
v_{OSS}	Offsetripple (with 1 kHz-Filter, first order)		6		mV
	Mechanical stress according to M3209/3 Settings: 10-2000Hz, 1min/Octave, 2 hours		1.5		g

Routine Tests:

(Measurement after temperature balance of the samples at room temperature, SC=significant characteristic)

$V_{OUT} (SC)$	(100%) M3011/6:	Output voltage vs. reference	729 ... 751	mV
V_O	(100%) M3226:	Offset voltage ($V_{OUT}-V_{REF}$)	± 25	mV
$V_{OUT}(\text{test current})$	(100%)	Output voltage @ $V_{REF} = 0V$	250 ± 60	mV
U_d	(100%) M3014:	Test voltage, 1s, Pin 1-4 vs. Pin 5-10	1.8	kV _{RMS}
U_{PDE} $U_{PD} \cdot 1.875$	(AQL 1/S4)	Partial discharge voltage (extinction) *acc. table 24	1.5 1.875	kV _{RMS}

Type Tests:

(Precondition acc. to M3236)

\hat{U}_W	M3064:	Impulse test (1.2 μ s/50 μ s wave form) Pin 1-4 vs. Pin 5-10, 5 pulses \rightarrow polarity +, 5 pulses \rightarrow polarity -	6	kV
$\hat{U}_W, \text{prim-prim}$	M3064:	Impulse test (1.2 μ s/50 μ s wave form) Pin 1 vs. Pin 2	6	kV
U_d	M3014:	Test voltage, 60s Pin 1-4 vs. Pin 5-10	3.6	kV _{RMS}
$U_d, \text{prim-prim}$	M3014:	Test voltage between primary conductors, 60s Pin 1 vs. Pin 2	3.6	kV _{RMS}
U_{PDE} $U_{PD} \cdot 1.875$		Partial discharge voltage (extinction) *acc. table 24	1.5 1.875	kV _{RMS}

* IEC 61800-5-1:2007

Hrg.: R&D-PD NPI D
editor

Bearb.: DJ
designer

MC-PM: NSch.
check

freig.: SB
released

K-No.: 26621

300mA Differential Current Sensor for 5V Supply Voltage

For the electronic measurement of current:
DC, AC, pulsed ..., with galvanic isolation between the primary and the secondary circuit



Date: 02.02.2022

Customer: Standard type

Customers Part no:

Page 4 of 4

Explanation of several terms used in the tables:

V_{ot} Long term drift of V_o after 100 temperature cycles in the range -40°C to 85°C .

t_r Response time, measured as a delay time at $I_{\Delta P} = 0.9 \cdot I_{\Delta N}$ between a rectangular primary current and the output current or voltage.

t_{ra} Reaction time, measured as a delay time at $I_{\Delta P} = 0.1 \cdot I_{\Delta N}$ between a rectangular primary current and the output current or voltage.

$X_{ges}(I_{\Delta N})$ The sum of all possible errors over the temperature range by measuring a current $I_{\Delta N}$:

$$X_{ges}(I_{\Delta N}) = 100 \cdot \left| \frac{V_{OUT}(I_{\Delta N}) - 2.5V}{0.74V} - 1 \right| \%$$

X Permissible measurement error in the final inspection at RT, defined by

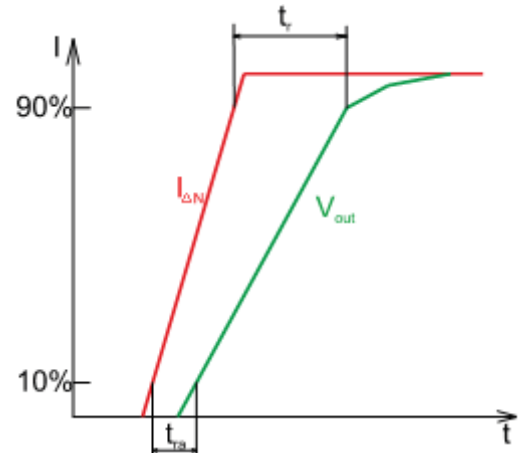
$$X = 100 \cdot \left| \frac{V_{OUT}(I_{\Delta N}) - V_{OUT}(0)}{0.74V} - 1 \right| \%$$

ΔX_{θ} $\Delta X_{\theta} = X_{\theta_{max}} - X_{\theta_{min}}$

ϵ_L Linearity fault defined by: $\epsilon_L = 100 \cdot \left| \frac{I_{\Delta P}}{I_{\Delta N}} - \frac{V_{OUT}(I_{\Delta P}) - V_{OUT}(0)}{V_{OUT}(I_{\Delta N}) - V_{OUT}(0)} \right| \%$

Where $I_{\Delta P}$ is any input DC current and V_{OUT} the corresponding output term. ($V_o = 0$).

RT Room temperature



Application Information

The external test current can be generated with the use of a resistor R and a switch X or something similar (Transistor, Mosfet, etc.). The resistor determine the current at a given voltage and so the output voltage can be calculated.

$$V_{OUT} = V_{REF} \pm \frac{0.74 \cdot \frac{5V}{R + R_{Test}} \cdot 20}{I_{\Delta N}}$$

